

# Thank You

For Choosing VantecUSA Product.

We are committed to providing you with the best service and support. If you have a problem with installing, getting the product to function or other product related question, please feel free to write to us. We will help you answer your question.

You can write to us at : [support@vantecusa.com](mailto:support@vantecusa.com)  
For the latest Drivers, Manual and Frequently Asked Questions (FAQ), they are available at our website at [vantecusa.com](http://vantecusa.com) or write to us.

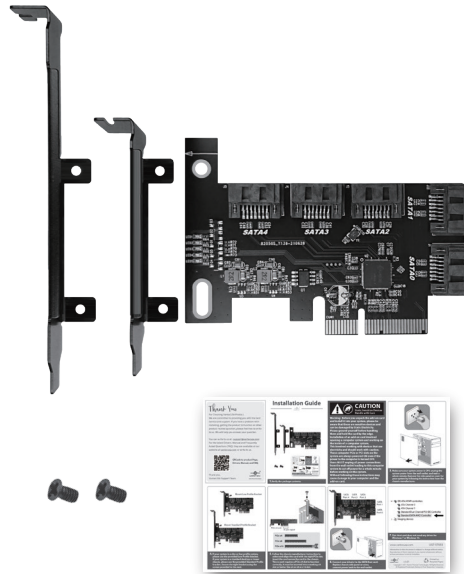


QRCode to product Page,  
Drivers, Manual, and FAQ.

Thank you,  
VantecUSA Support Team.



# Installation Guide



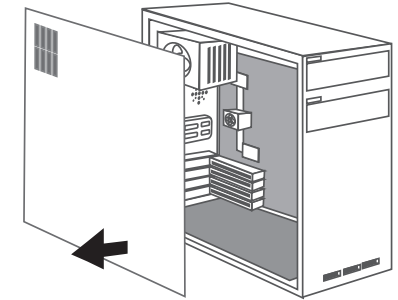
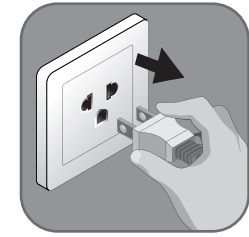
1. Verify the package contents.



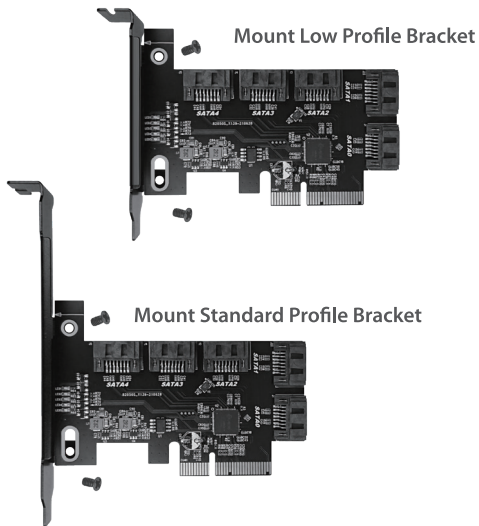
## CAUTION

Static Sensitive Devices  
Handle with Care

**Warning:** Before you unpack the add-on card and install it into your system, please be aware that these are sensitive devices and can be damaged by Static Electricity. Please ground yourself before handling them and hold the card by the edge. Installation of an add-on card involved opening a computer system and working on the inside of a computer system. This involved working with devices that use electricity and should work with caution. These computer PCIe or PCI slots on the system are always powered ON even if the power to the computer is turned OFF. Users MUST unplug all power connections from the wall outlet leading to this computer system to cut off power for a whole minute before working on the system. Without following these instructions may cause damage to your computer and the add-on card.



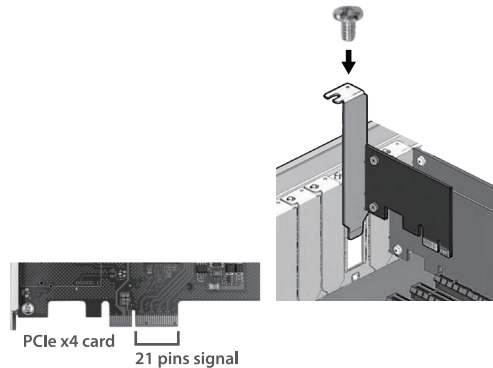
3. Make sure your system power is OFF, unplug the system power from the wall outlet, and wait a whole minute. Remove the side panel or cover for your system by following the instruction from the chassis manufacturer.



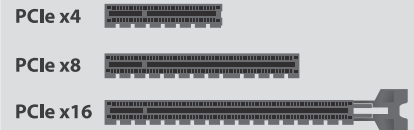
Mount Low Profile Bracket

Mount Standard Profile Bracket

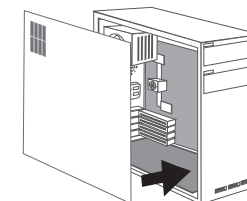
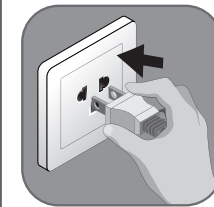
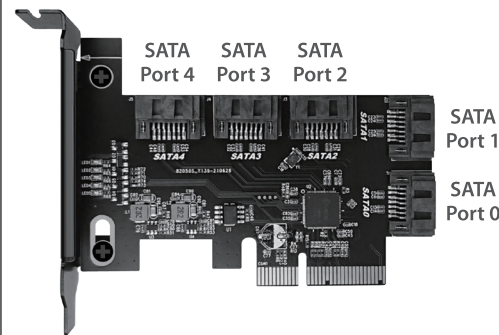
4. If your system is a slim or low profile system, please use the provided Low Profile bracket. If your system is a standard desktop or tower chassis, please use the provided Standard Profile bracket. Secure the right bracket using the screws provided to the card.



PCIe x4 card 21 pins signal



5. Follow the chassis manufacturer instruction to select and align this card with the right PCIe slot. Insert the card secure the card to the chassis. This is card requires a PCIe x4 slot to function correctly, it must be inserted into a working x4 slot or better like x4 or x8 or x16 slot.



6. Connect your drive(s) to the SATA Host card. Replace chassis side panel or cover, connect power back to the wall outlet.

- ✓ IDE ATA/ATAPI controllers
- ATA Channel 0
- ATA Channel 1
- Standard Dual Channel PCI IDE Controller
- Standard SATA AHCI Controller ←
- > Imaging devices

7. This Host card does not need any driver for Windows 7 or Windows 10.

[www.vantecusa.com](http://www.vantecusa.com)

UGT-ST655

Information in this document is subject to change without notice. Reproduction of these materials in any manner whatsoever without written permission is strictly forbidden.



v1.01



Printed on  
Recycled Paper.

Copyright © 2021 Vantec Thermal Technologies. All Rights Reserved.  
All Registered Trademarks Belong to Their Respective Companies.